



## Motion Activated Solar LED Street Lighting




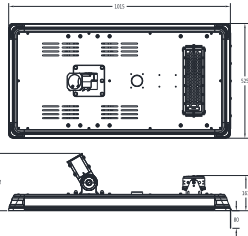
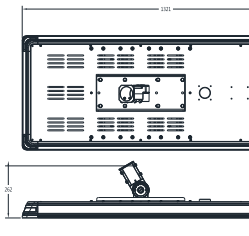
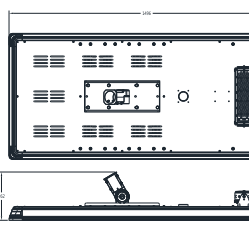
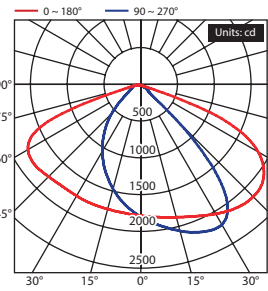
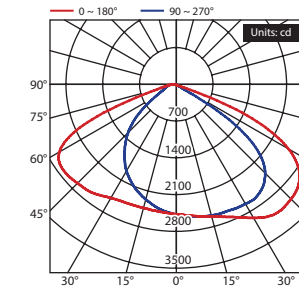
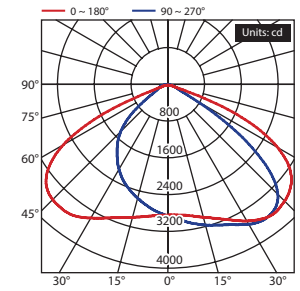
SSL-B Series: Solar LED street lighting with microwave motion detection in 30W, 50W & 60W models

The ENSA™ SSL-B Series comprises motion-activated, solar-powered LED street lights, designed to deliver standalone lighting to outdoor locations without mains power access. SSL-B Series models couple poly/monocrystalline silicon solar panel technology and high capacity lithium iron phosphate (LiFePO4) batteries for efficient use & extended operating time.

Models feature a customisable motion detection system that can be configured for street, area & security lighting, and other off-grid outdoor lighting purposes. They are ideal for use in remote or under-developed locations such as on rural roads, at remote fences/gates, in construction sites, and in general street lighting applications.

- Outstanding energy efficiency at >180lm/W performance
- Up to 21% conversion rate poly/monocrystalline solar panels
- Dusk/dawn switch, motion sensing & on-time delay
- Configure power output for different times of the day
- 60° tilt-adjustable LED modules for lighting customisation
- Multiple days of use from full charge (sensor mode, overcast)
- In 4000K natural & 5700K cool white colour temperatures
- IP65 weather rated with included bird guard (optional)

## Series Specifications

Model	SSL-B30M	SSL-B50M	SSL-B60M
Product Image			
Series Name	SSL-B Series Motion Activated Solar LED Street Lights		
<b>Light</b>			
Light Output	5500lm	9400lm	11100lm
Luminous Efficacy	>180lm/W		
Colour Temperature	4000K natural white / 5700K cool white		
Beam Angle	145° x 75°	145° x 100°	145° x 100°
Rated LED Lifespan	50,000hrs		
LED Testing	LM80 / TM21 (available on request)		
Power Consumption	30W	50W	60W
Internal Battery	320Wh LiFePO4	500Wh LiFePO4	1200Wh LiFePO4
Input Voltage	12.8VDC	12.8VDC	25.6VDC
Operating Time	72~120 hours (intelligent mode, rainy weather)	72~120 hours (intelligent mode, rainy weather)	120~168 hours (intelligent mode, rainy weather)
Light Bracket	Adjustable bracket angle -30° ~ 30°		
<b>Solar Panel</b>			
Panel Type	Polycrystalline silicon	Monocrystalline silicon	Monocrystalline silicon
Panel Wattage	80W	120W	180W
Panel Conversion Rate	≥18%	≥21%	≥21%
Panel Bracket	Adjustable bracket angle -60° ~ 60°		
Rec. Install Height	5 ~ 7m	8 ~ 10m	8 ~ 10m
<b>Detection</b>			
Motion Detection	Microwave motion sensor		
Detection Range	Ø8 ~ 15m (height: 5 ~ 7m)	Ø8 ~ 15m (height: 8 ~ 10m)	Ø8 ~ 15m (height: 8 ~ 10m)
Light Mode Settings	Normal	Mode time period / Brightness	
	Morning	Mode time period / Brightness	
	Sensor	Mode time period / Brightness on motion / On-time delay / Brightness after motion	
<b>General</b>			
Ingress Protection	IP65		
Pole Diameter	Ø50~60mm		
Product Dimensions	1015 x 525 x 161mm	1321 x 525 x 161mm	1496 x 685 x 161mm
<b>Photometry</b>			
Dimensions			
Luminous Light Distribution			

## Ordering Information

Type	Series	Wattage	Sensor Type	Colour Temperature
SSL	- B	30 (30W LED light) 50 (50W LED light) 60 (60W LED light)	M (Microwave)	N (Natural white) C (Cool white)
SSL-B60MC: 60W Motion Activated Solar LED Street Light in Cool White				

## Included Accessories

Check status and adjust settings of the SSL-B Series with the included infrared configuration remote.

Control motion sensor operation, battery charge/discharge settings, allocate light power and more.

